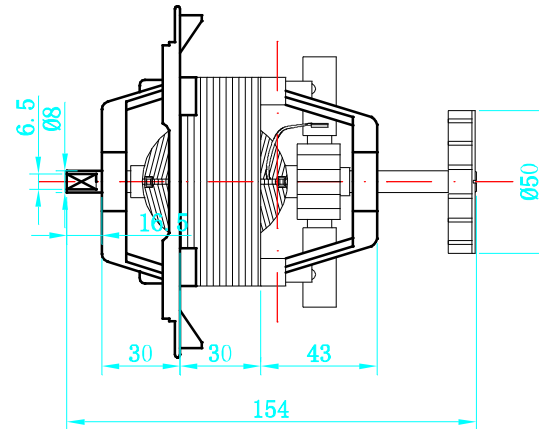
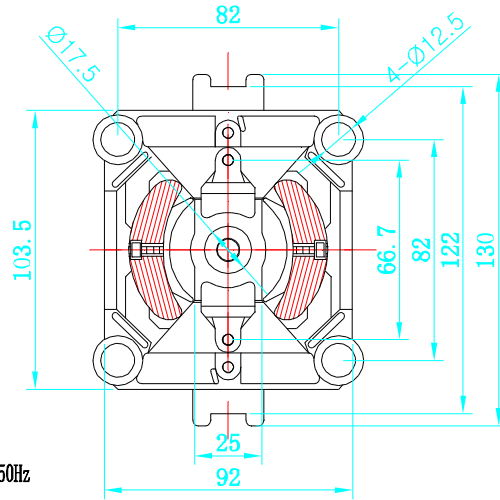
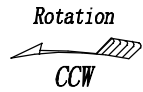


Rohs Compliance

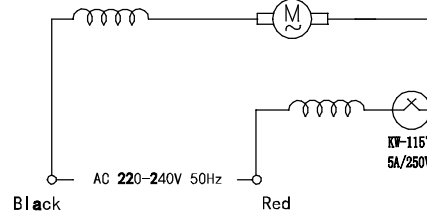
REV	DESCRIPTION	DATE	BY
A	FIRST ISSUE		



Notes:

- Voltage with Frequency (电压和频率): 230V/50Hz
- Rotation (转向): CCW
- No-load Performance (空载性能)
No-load Speed (空载转速): 25000±15%
No-load Current (空载电流): 1.1±15%
No-load Power (空载功率): 250±15%
- On load Performance (负载性能)
On load Speed (负载转速): 13000±10%
On load Current (负载电流): 4.4±10%
On load Power (负载功率): 1000±10%
- Torque (扭矩):
- Choke (电感):
- Capacitance (电容):
- Fuse or Thermostat (保险丝或者温控): 115°
- Temperature Rise (温升): 1152°
- Insulation Grade (绝缘等级): class F
- Withstand Voltage (耐压): 1500V/0.1ma/1sec
- Life (寿命):
- Noise (噪音):

CIRCUIT DIAGRAM



Label content:

OD-9530M230
220-240V/50Hz
MADE IN CHINA

GENERAL TOLERANCES ISO 2768-m	
Permissible deviations for linear dimensions	
Permissible deviations for basic size range	
>0.5	>8
... 3	... 6
m	±0.1
>0.5	>8
... 3	... 6
m	±0.1

DWN. BY	CHK. BY	APP. BY
Date (yyymmdd)	Date (yyymmdd)	Date (yyymmdd)
MATERIAL:		SCALE 3:1
FINISH:		NOT SCALE
General Tolerance ISO 2768-1 Class m (Unless specified)		TITLE
ALL DIMENSIONS ARE IN MILLIMETRES		OD-9530M23
SHENZHEN ODIN IMPORT AND EXPORT CO., LTD		DWG NO. OD-9530M23
		SHEET 1 OF 1