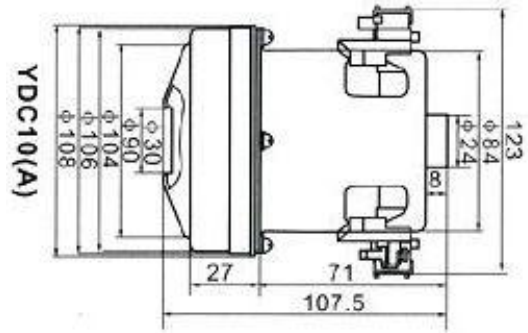
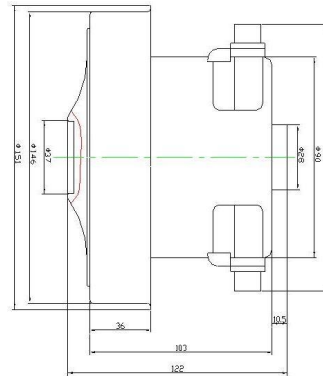


TW-108151 Vacuum Cleaner Motor

OUTPUT POWER:800~1400 W (APPROX)



Specification	Model	TW-108	TW-108	Tolerance Value
	Voltage(V)	220 230 240 100 110 120	220 230 240 100 110 120	/
	Frequency(Hz)	50/60	50/60	/
	Input (W)	900	1000	±10%
	Max Vacuum Degree(KPa)	21	22	-5%
	Max Air Quantity(m3/min)	2.2	2.3	-8%
	Temp.Rise(K)	<95	<97	/
	Noisy(dB)	100	101	/
	Sparkle Grade	<2 Level	<2 Level	/
	Insulation Grade	B	B	/
	Max Eff.(%)	35	35	-10%



Specification	Model	TW-151	TW-151	Tolerance Value
	Voltage(V)	220 230 240 100 110 120	220 230 240 100 110 120	/
	Frequency(Hz)	50/60	50/60	/
	Input (W)	1200	1400	±10%
	Max Vacuum Degree(KPa)	24	25	-5%
	Max Air Quantity(m3/min)	3.2	3.3	-8%
	Temp.Rise(K)	<85	<85	/
	Noisy(dB)	96	98	/
	Sparkle Grade	<2 Level	<2 Level	/
	Insulation Grade	B	B	/
	Max Eff.(%)	35	35	-10%